

Product features:

- Metal & ABS construction
- 5 year limited warranty
- Luscious European quality chromium plate finish

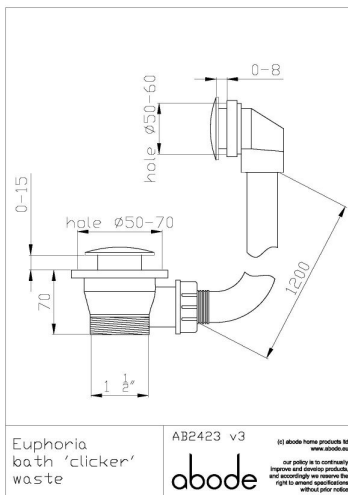
Packaged properties:

Box length (mm): 500 Box depth(mm): 80
Box width(mm): 210 Boxed weight (Kg): 0.8

Includes pop up waste?: No

Additional comments:

Product dimensions:



- Product mounted where: Surface
- Recommended hole size: 50-70 mm
- Overall Height / projection: 70 mm
- Exit reach:
- Exit height:
- Base size:
- Inlet centre distance(s):
- Min. fitting depth required: 15 & 8 mm
- Max. surface depth:

Product flow characteristics:

FLOW GRAPH NOT APPLICABLE

- Min / Max water pressure (bar): * /
- Part G max. mixed flow rate at 3 bar (l/m): N/A
- Inlet connection type / length: / mm
- Inlet (plumbing connection) / outlet size: / 1 1/2" M
- Product flow characteristics:
- Non return valve(s) supplied or position:
- Aerator type:
- Control valve type: ()
- Includes output diverter?: No
- Inlet meshed particle filters included:
- Shower hose type / length:

Warranty Summary (full details available on request):

- Materials and workmanship defects warranted for 5 years
- Valves and working parts warranted for 5 years
- Surface warranty defects warranted for 1 year
- O-rings, hoses & gaskets warranted for 1 year

Care instructions:

- Clean the mixers and showers regularly as required, using soap, do not use any other cleaners.
- Regular cleaning will prevent the build up of lime scale and dirt
- After cleaning rinse thoroughly with clean water to remove any cleaner residue
- Residues of liquid soaps, shampoos and shower foams can also cause damage, so rinse with clean water after using, avoid contact with any abrasives