



**Product features:**

- REF!
- REF!
- REF!
- REF!
- REF!

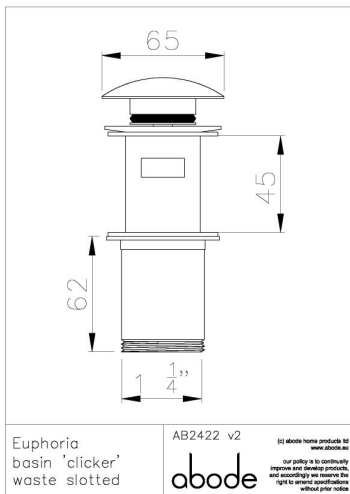
**Packaged properties:**

Box length (mm): 112      Box depth(mm): 78  
Box width(mm): 78      Boxed weight (Kg): 0.4

**Includes pop up waste?:** No

**Additional comments:**  
Slotted waste

**Product dimensions:**



- **Product mounted where:** Surface
- **Recommended hole size:** Ø 43-55 mm
- **Overall Height / projection:** 105 mm
- **Exit reach:**
- **Exit height:**
- **Base size:**
- **Inlet centre distance(s):**
- **Min. fitting depth required:** 45 mm
- **Max. surface depth:**

**Product flow characteristics:**

FLOW GRAPH NOT APPLICABLE

- **Min / Max water pressure (bar):** \* /
- **Part G max. mixed flow rate at 3 bar (l/m):** N/A
- **Inlet connection type / length:** / mm
- **Inlet (plumbing connection) / outlet size:** / 1 1/4" M
- **Product flow characteristics:**
- **Non return valve(s) supplied or position:**
- **Aerator type:**
- **Control valve type:** ( )
- **Includes output diverter?:** No
- **Inlet meshed particle filters included:**
- **Shower hose type / length:**

**Warranty Summary** (full details available on request):

- Materials and workmanship defects warranted for 5 years
- Valves and working parts warranted for 5 years
- Surface warranty defects warranted for 1 year
- O-rings, hoses & gaskets warranted for 1 year

**Care instructions:**

- Clean the mixers and showers regularly as required, using soap, do not use any other cleaners.
- Regular cleaning will prevent the build up of lime scale and dirt
- After cleaning rinse thoroughly with clean water to remove any cleaner residue
- Residues of liquid soaps, shampoos and shower foams can also cause damage, so rinse with clean water after using, avoid contact with any abrasives