



Product features:

- Metal construction throughout
- Custom designed for lower range pressures
- Luscious European quality chromium plate finish
- Supplied with fixed 3/4" inlets for maximum stability and flow
- Traditional European styling

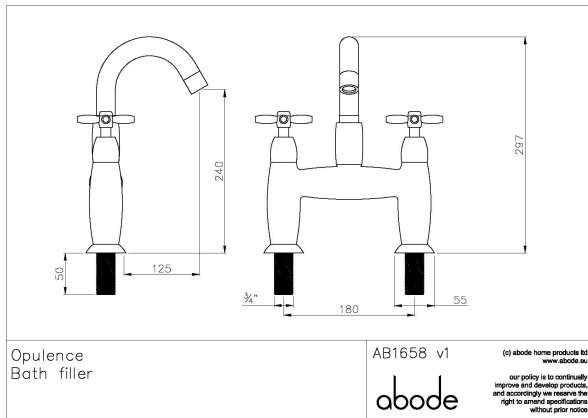
Packaged properties:

Box length (mm): 410 Box depth(mm): 110
Box width(mm): 280 Boxed weight (Kg): 3.6

Includes pop up waste?: No

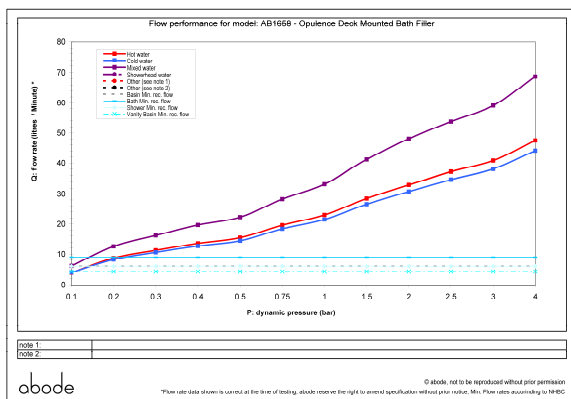
Additional comments:

Product dimensions:



- Product mounted where: Surface
- Recommended hole size: 35 mm
- Overall Height / projection: 297 mm
- Exit reach: 125 mm
- Exit height: 240 mm
- Base size: 55 mm
- Inlet centre distance(s): 180 mm
- Min. fitting depth required: 0 mm
- Max. surface depth: 45 mm

Product flow characteristics:



- Min / Max water pressure (bar): 0.20* / 5.5
- Part G max. mixed flow rate at 3 bar (l/m): 59.15
- Inlet connection type / length: Fixed / 50 mm
- Inlet (plumbing connection) / outlet size: 3/4"M / n/a
- Product flow characteristics: Single flow
- Non return valve(s) supplied or position: n/a
- Aerator type: Neostrahl std
- Control valve type: 3/4 QT CD (8-20)
- Includes output diverter?: N/A
- Inlet meshed particle filters included: n/a
- Shower hose type / length: N/a / n/a

Warranty Summary (full details available on request):

- Materials and workmanship defects warranted for 5 years
- Valves and working parts warranted for 5 years
- Surface warranty defects warranted for 1 year
- O-rings, hoses & gaskets warranted for 1 year

Care instructions:

- Clean the mixers and showers regularly as required, using soap, do not use any other cleaners.
- Regular cleaning will prevent the build up of lime scale and dirt
- After cleaning rinse thoroughly with clean water to remove any cleaner residue
- Residues of liquid soaps, shampoos and shower foams can also cause damage, so rinse with clean water after using, avoid contact with any abrasives