

Product features:

- Metal construction throughout
- Custom designed for lower range pressures
- Quarter turn handle action for precise flow control
- Fixed spout to prevent accidental water damage
- Minimalist planate design form

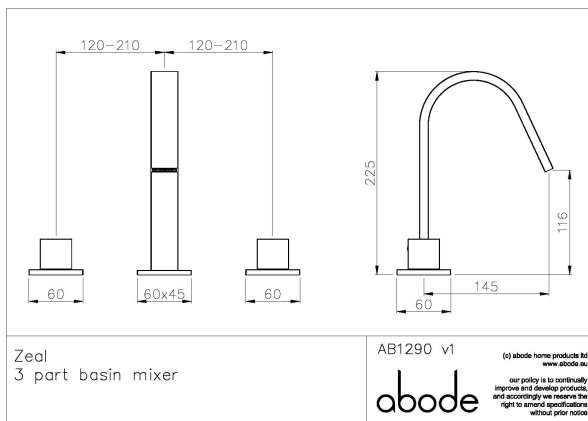
Packaged properties:

Box length (mm): 390 Box depth(mm): 80
Box width(mm): 240 Boxed weight (Kg): 2.6

Includes pop up waste?: No

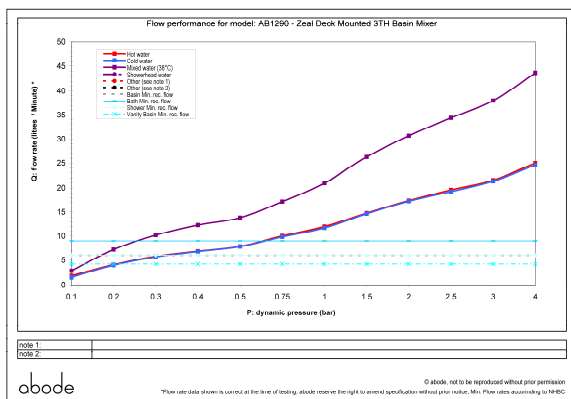
Additional comments:

Product dimensions:



- **Product mounted where:** Surface
- **Recommended hole size:** 27-44, 32-35, 27-44 mm
- **Overall Height / projection:** 225 mm
- **Exit reach:** 145 mm
- **Exit height:** 116 mm
- **Base size:** []60, 60x45 []60 mm
- **Inlet centre distance(s):** 120 - 210 mm
- **Min. fitting depth required:** 0 mm
- **Max. surface depth:** 50 mm

Product flow characteristics:



- **Min / Max water pressure (bar):** 0.20* / 5.50
- **Part G max. mixed flow rate at 3 bar (l/m):** 38
- **Inlet connection type / length:** Flexi / 380 mm
- **Inlet (plumbing connection) / outlet size:** 1/2" F / M10
- **Product flow characteristics:** Single flow
- **Non return valve(s) supplied or position:** no
- **Aerator type:** Rectangular flow straightener 26 x 6
- **Control valve type:** 1/2" QT CD (8-20)
- **Includes output diverter?:** N/A
- **Inlet meshed particle filters included:** n/a
- **Shower hose type / length:** N/a / n/a

Warranty Summary (full details available on request):

- Materials and workmanship defects warranted for 5 years
- Valves and working parts warranted for 5 years
- Surface warranty defects warranted for 1 year
- O-rings, hoses & gaskets warranted for 1 year

Care instructions:

- Clean the mixers and showers regularly as required, using soap, do not use any other cleaners.
- Regular cleaning will prevent the build up of lime scale and dirt
- After cleaning rinse thoroughly with clean water to remove any cleaner residue
- Residues of liquid soaps, shampoos and shower foams can also cause damage, so rinse with clean water after using, avoid contact with any abrasives